



MATERIAL

Phenolic based (PF) Duroplast, black colour, glossy finish.

REVOLVING HANDLE

I.281+x (see page 496) in Duroplast.

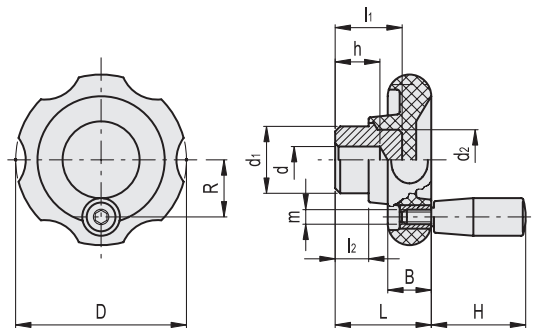
STANDARD EXECUTION

Black-oxide steel hub, with pre-drilled blind hole.



ELESA Original design

Conversion Table	
1 mm = 0.039 inch	
D	
mm	inch
82	3.23
99	3.90
129	5.08



METRIC

Code	Description	D	dh9	d-0.1	L	B	l1	l2	d1	d2	h	M	m	R	Δ
74431	VL.140/80+I	82	-	6	40	19	23	12	24	20	15	40	M6	26	180
74521	VL.140/100+I	99	8	-	44	20	31	14	36	30	22	50	M8	32	385
74621	VL.140/130+I	129	8	-	47	22	30	13	40	40	20	65	M8	43	585